

LANSDALE

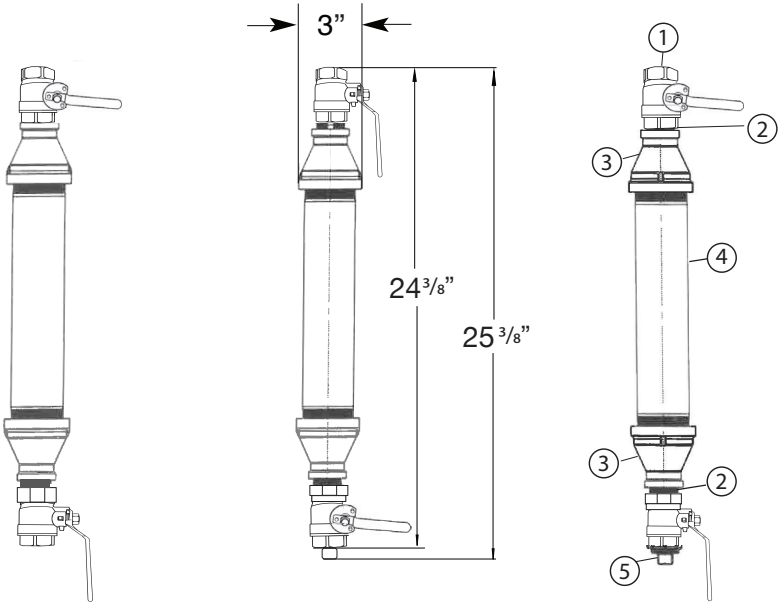
VALVE & MANUFACTURING

1050 Broadway, Westville, NJ 08093
 P. 800-908-0523 F. 856-456-9223
 www.lansdaleinternational.com

Auxiliary Drain Drum Drip

- Ready to Install
- Hot Dipped GALV.
- Rated to 175 psi
- Tested to 700 psi
- 36 Hour ice build up test with no damage
- Made in the USA

Item	Material List
1	1" Lansdale Ball Valve
2	1" CL Nipple
3	2 x1 Conc. Red
4	2 x 12 Sch 40 Pipe
5	1" Plug



DRAIN MODE

OPERATING MODE



PROJECT INFORMATION	APPROVAL STAMP
Project:	<input type="checkbox"/> Approved
Address:	<input type="checkbox"/> Approved as noted
Contractor:	<input type="checkbox"/> Not approved
Engineer:	Remarks:
Submittal Data:	
Notes 1:	
Notes 2:	