

LANSDALE INTERNATIONAL

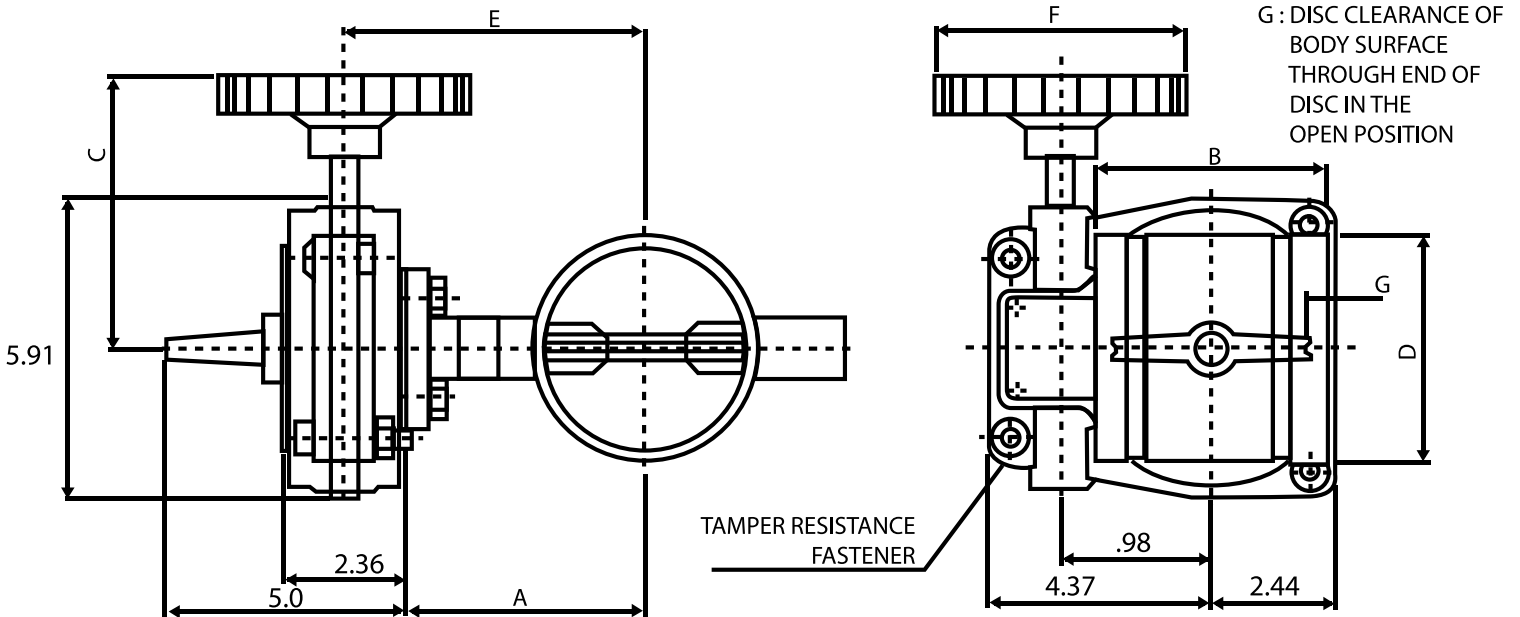
1050 Broadway, Westville, NJ 08093
 P. 800-908-0523 F. 856-456-9223
 www.lansdaleinternational.com

GROOVED BUTTERFLY VALVE

Features:

- Rated 300psi/ 20.7 BAR
- UL Listed/ FM Approved
- Indoor/ outdoor use
- Pre-wired Double tamper switches
- Eliminates water hammer
- Slow open/ slow close
- Flag type position indicator
- DI body encapsulated with a resistant durable polymer coating to ensure a long service life
- Disc is EPDM Coated with SS Stem

| | DIMENSION DATA | | | | | | UNIT: IN |
|-------|----------------|------|------|------|------|------|----------|
| | A | B | C | D | E | F | G |
| 2 1/2 | 4.13 | 3.80 | 5.31 | 2.87 | 5.31 | 5.04 | |
| 3 | 4.41 | 3.87 | 5.31 | 3.50 | 5.59 | 5.04 | |
| 4 | 5.71 | 4.54 | 5.31 | 4.50 | 6.90 | 5.04 | |
| 6 | 7.05 | 5.21 | 7.60 | 6.63 | 8.23 | 8.66 | .27 |
| 8 | 8.03 | 5.80 | 7.60 | 8.63 | 9.21 | 8.66 | .95 |



Manufactured for Lansdale International by Benison

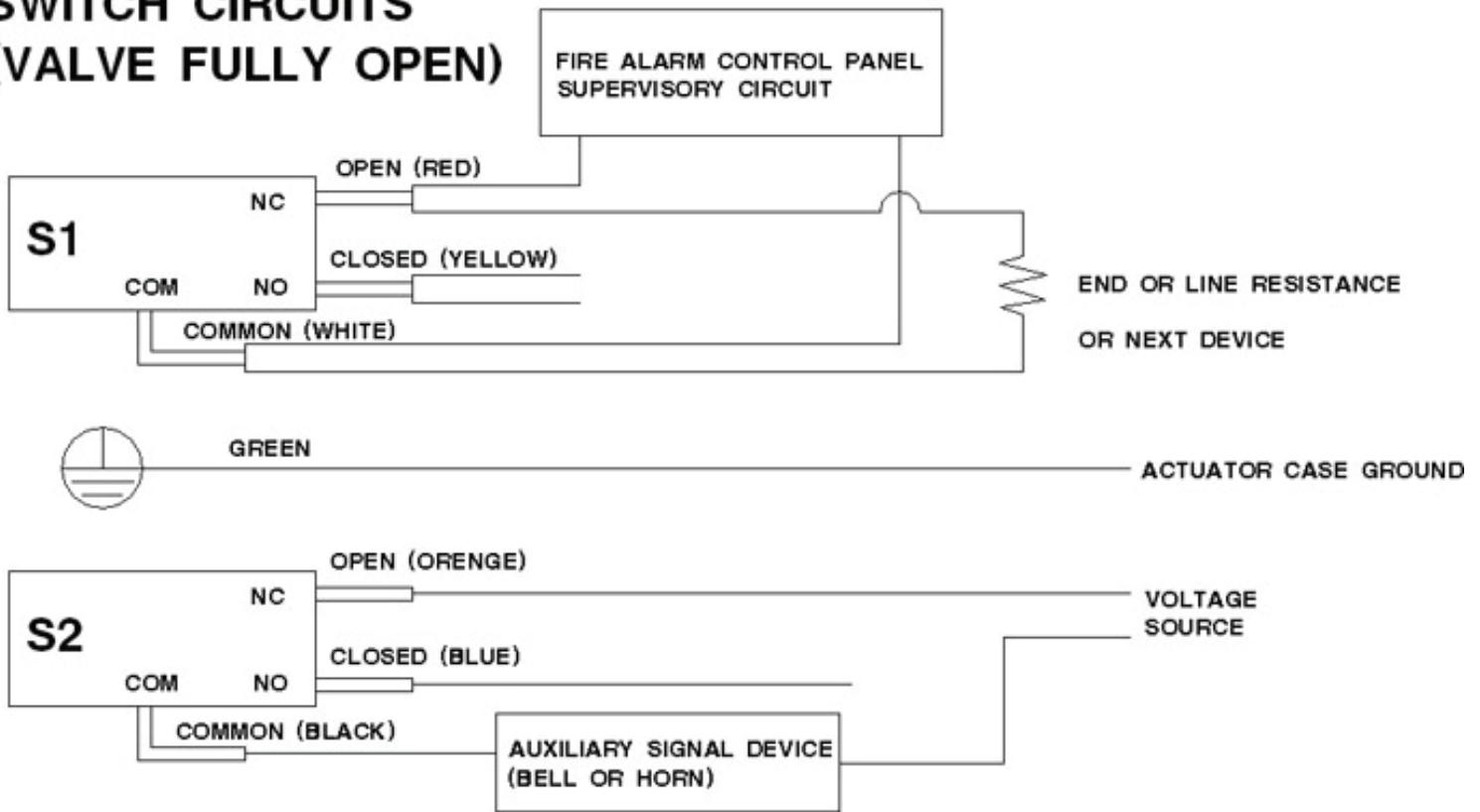
| PROJECT INFORMATION | APPROVAL STAMP |
|---------------------|--|
| Project: | <input type="checkbox"/> Approved |
| Address: | <input type="checkbox"/> Approved as noted |
| Contractor: | <input type="checkbox"/> Not approved |
| Engineer: | Remarks: |
| Submittal Data: | |
| Notes 1: | |
| Notes 2: | |

LANSDALE INTERNATIONAL

Grooved Butterfly Valve

1050 Broadway, Westville, NJ 08093
 P. 800-908-0523 F. 856-456-9223
 www.lansdaleinternational.com

SUPERVISORY TAMPER SWITCH CIRCUITS (VALVE FULLY OPEN)



PRESSURE DROP (PSI) VS. (GPM)

